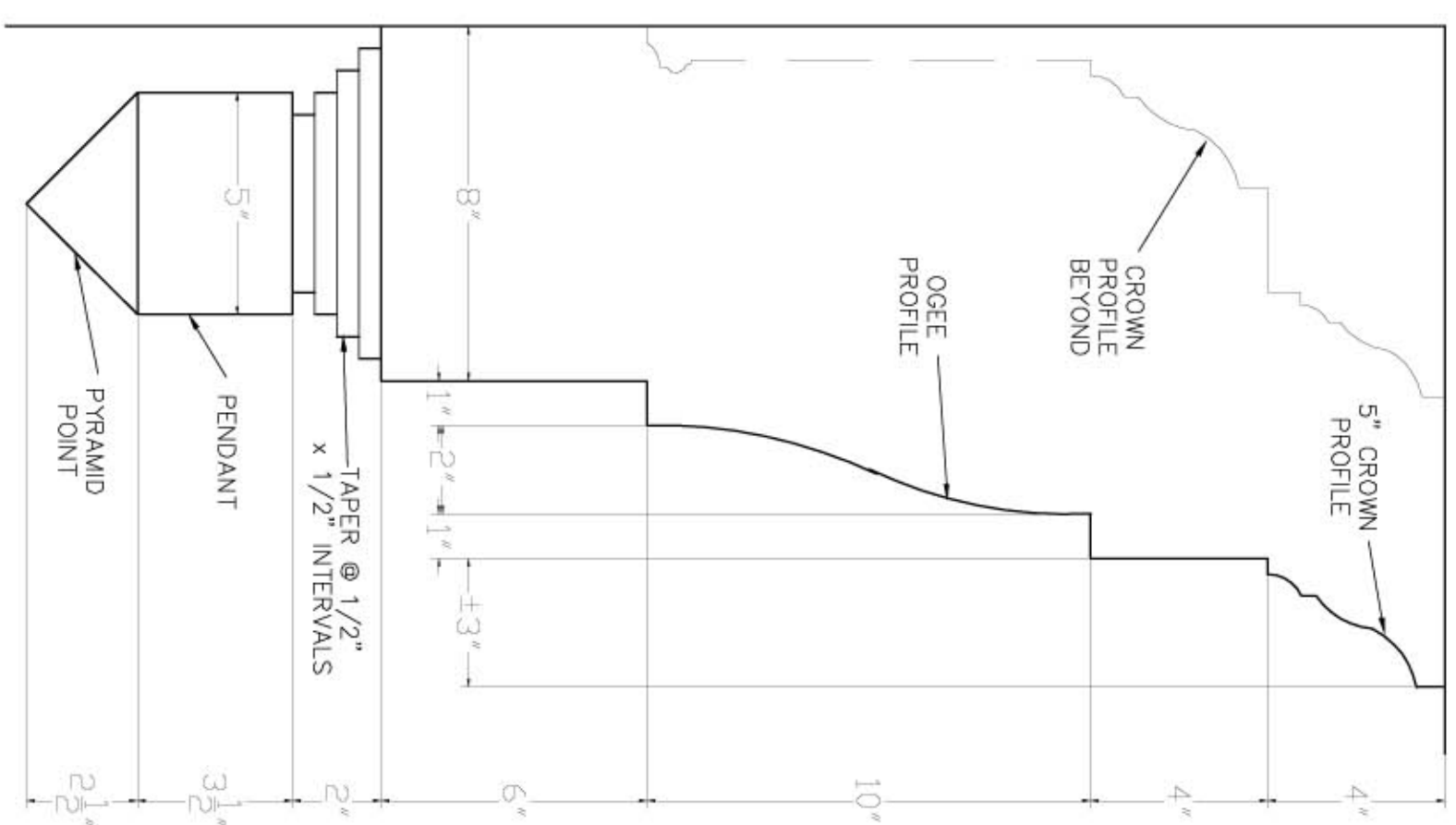
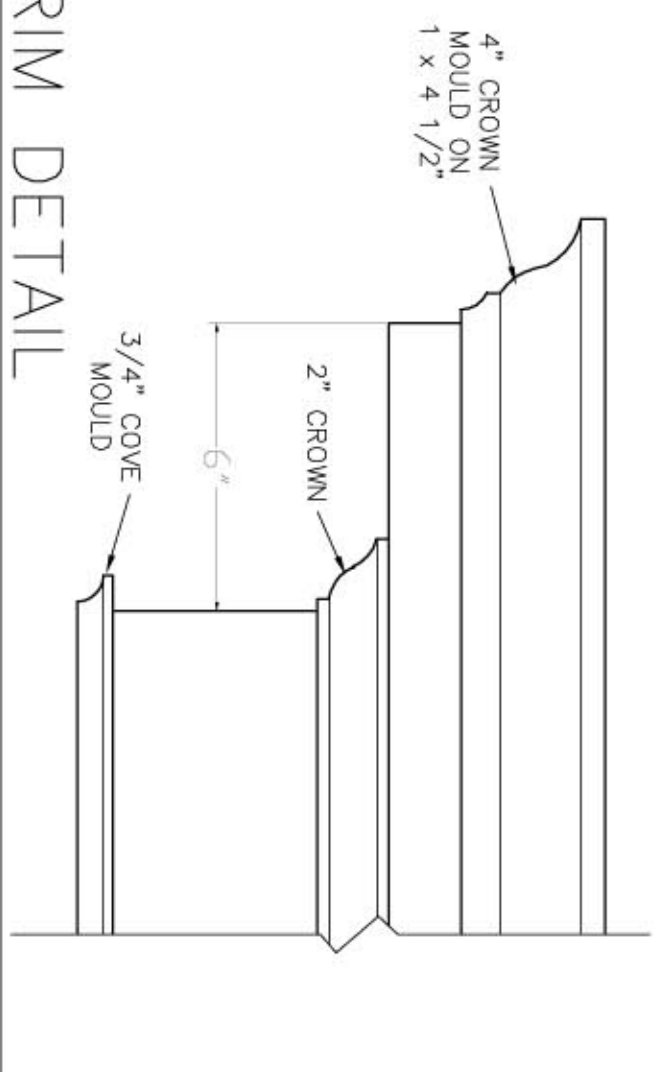


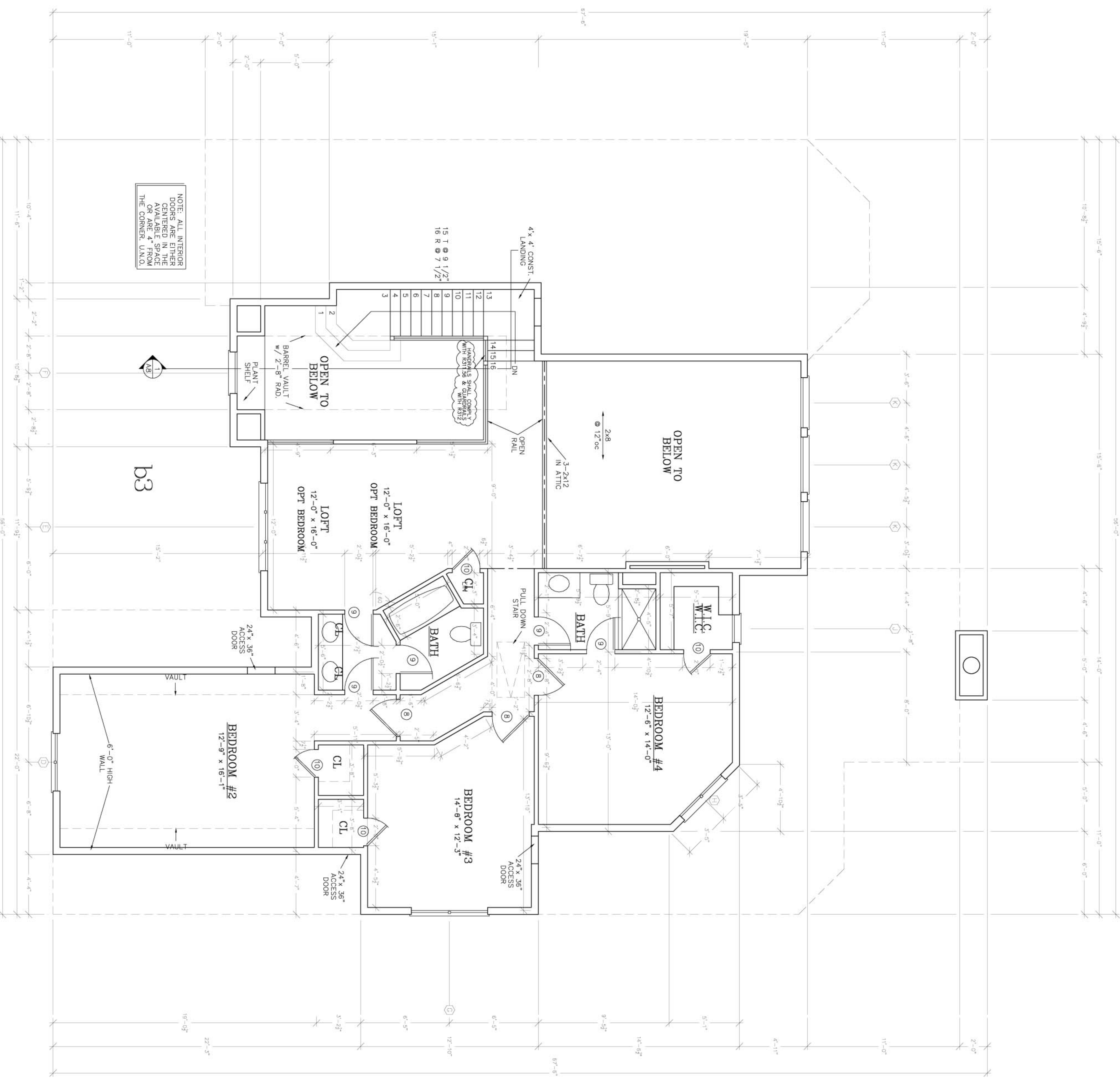
TRIM DETAIL
3" = 1'-0"



TRIM DETAIL
3" = 1'-0"



TRIM DETAIL
3" = 1'-0"



NOTE: ALL INTERIOR DOORS ARE EITHER CENTERED IN THE OPENING OR ARE 4" FROM THE CORNER, U.N.O.

NOTE: ALL CEILING HEIGHTS ARE TO BE 8'-0" UNLESS NOTED OTHERWISE.

SECOND FLOOR PLAN
1/4" = 1'-0"

A4

FILE NAME: SPGSPRING DATE: 03.12.07
SCALE: _____ REV: _____
DRAWN BY: _____
CHECKED BY: _____
TITLE: FLOOR PLANS

SQUARE FOOTAGE	
FIRST FLOOR	2,153 SQ.FT.
SECOND FLOOR	1,124 SQ.FT.
TOTAL	3,277 SQ.FT.
BASEMENT	1,700 SQ.FT.
GARAGE	645 SQ.FT.
UNFIN. STORAGE	330 SQ.FT.

BOTERO HOMES GALLERY
SF I
7131 AYERS MEADOW LANE
SPRINGFIELD, VA

*FRENCH
GEORGIAN*